

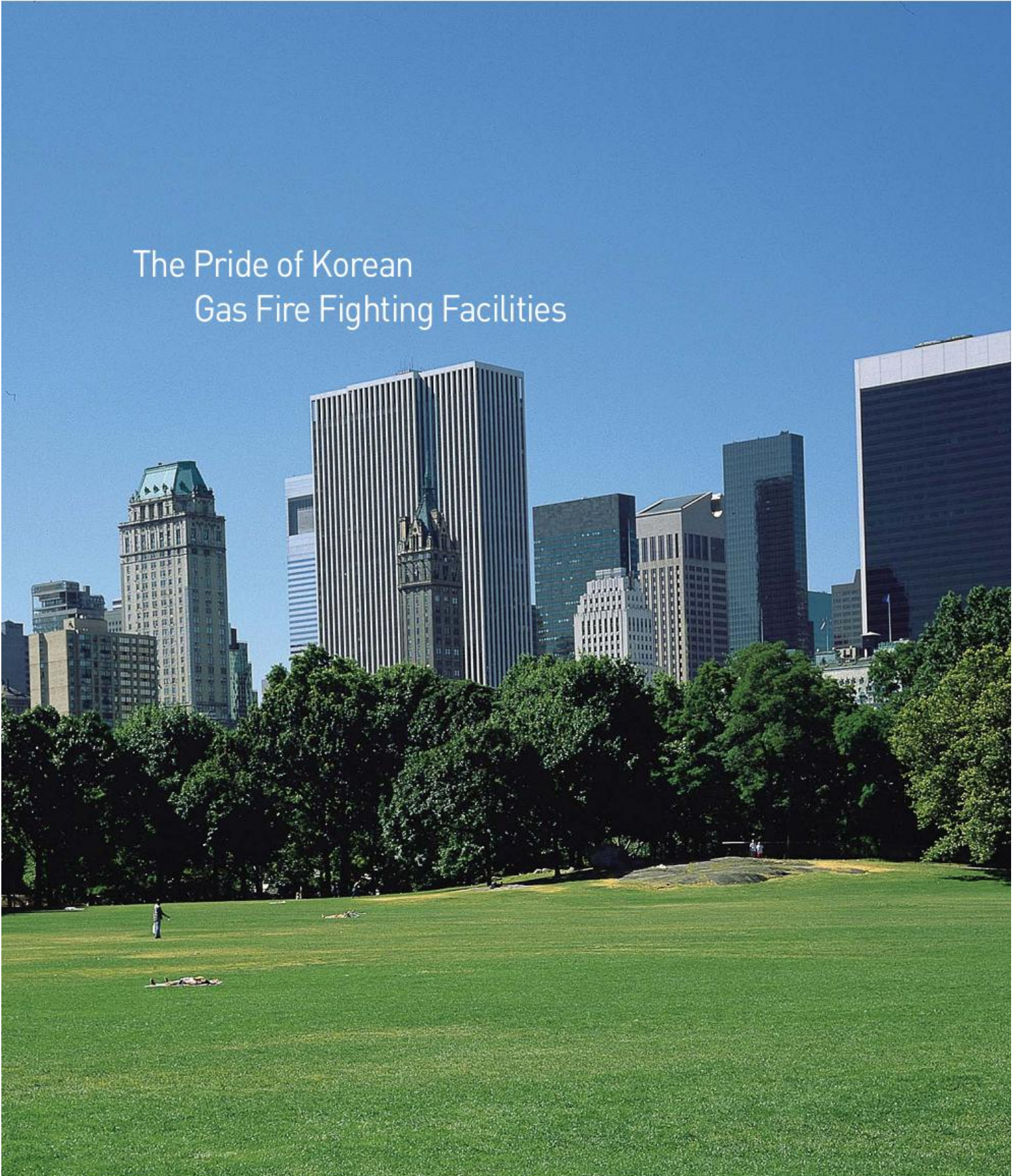


자재 승인 서류

Fire Extinguishing Gas Agent System

방재사업부 소개

The Pride of Korean
Gas Fire Fighting Facilities

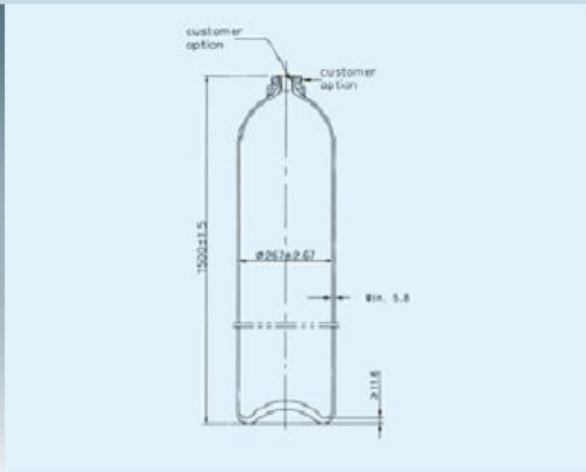




FM-200 and HFC-23 system

- Storage Cylinder
 - Cylinder Valve
- Pressure Gauge
 - Needle Valve
 - Flexible Hose

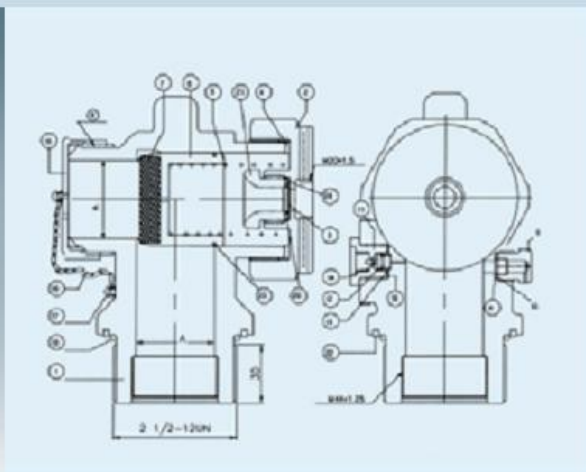
Storage Cylinder



A Mn-Steel container for storing liquefied gas at 15.0 Mpa working pressure. It should be certified by KGS.

Manufacturer	DongSung FINETEC Co.,LTD	
Model No.	FTC-40	FTC-68
Water capacity	40B	66B
Out Diameter	232mm	267mm
Length	1,175mm	1,500mm
Test Pressure	25.0MPa	25.0MPa
Working pressure	15.0MPa	15.0MPa
Color	Gray	Gray
Net weight(Cylinder)	About 45kg	About 75kg
Material	Mn-Steel(KS B 6210)	Mn-Steel(KS B 6210)

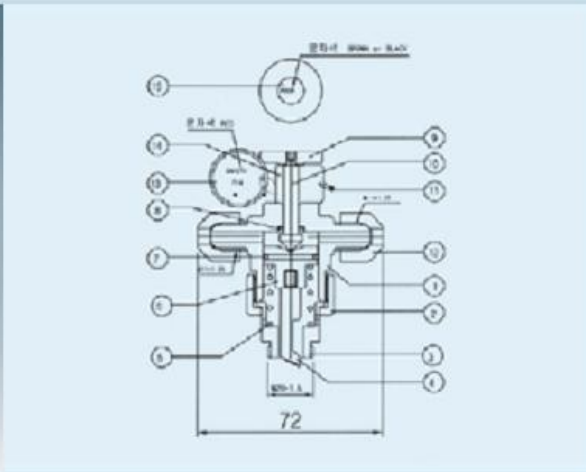
Cylinder Valve



A valve used to release fire extinguishing agent.

Manufacturer	DongSung FINETEC Co.,LTD	
Model No.	FTV-40	
Size	40mm	
Test Pressure	11.8MPa	
Working Pressure	7.1MPa	
Safety disc burst pressure	7.8-9.4MPa	
Material	Brass(KS D 5101 C3771)	

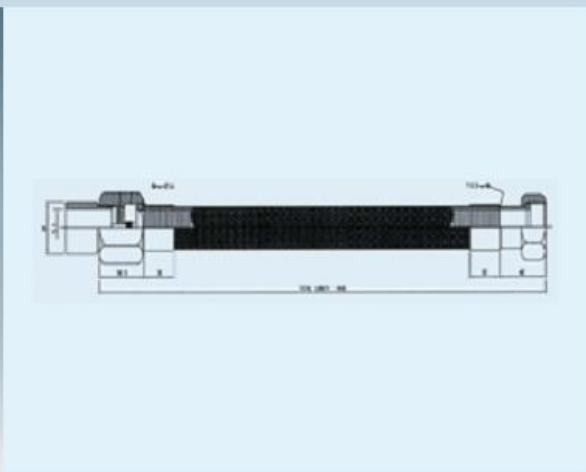
Needle Valve



It activates cylinder valve by breaking Burst Disc

Manufacturer	DongSung FINETEC Co.,LTD
Model No.	FTN-40
Diameter	6mm
Pin Size	11mm
Working pressure	1.8MPa
Material	Brass(KS D 5101 C3771)

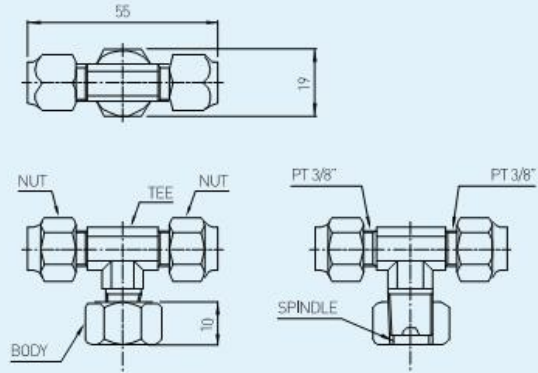
Flexible Hose



A hose to connect between cylinder and manifold to deliver gas agent from cylinder, coming with check valve.

Manufacturer	DongSung FINETEC Co.,LTD
Manufacturer	DongSung FINETEC Co.,LTD
Model No.	FTF-601
Diameter	40mm
Length	601mm
Test Pressure	9.7MPa
Material	STS 304

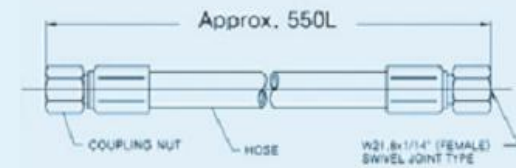
Flared Tee



Component actuating Cylinder Valve by Nitrogen gas pressure and located on top of cylinder valve. It functions as same as Needle valve on FM-200 system.

Manufacturer	DongSung FINETEC Co.,LTD
Model No.	FTFT-6
Size	6A
Material	Brass(KS D 5101 C3771)

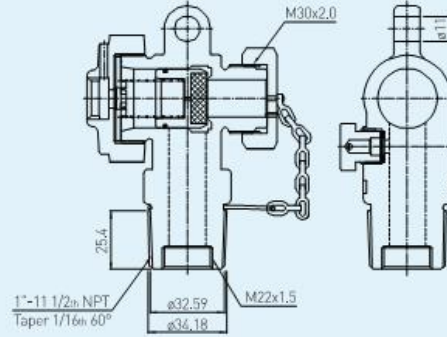
Rubber Tube



A tube made of rubber.
It can substitute copper tube.

Manufacturer	DongSung FINETEC Co.,LTD
Manufacturer	FTRT-6
Model No.	6A
Size	Brass(KS D 5101 C3771) & Rubber

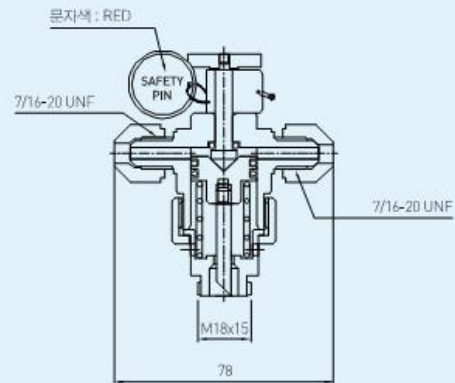
Pilot Cylinder Valve



A valve used to release nitrogen gas from Pilot Cylinder by activating Needle valve.

Manufacturer	DongSung FINETEC Co.,LTD
Model No.	FTV-15
Valve Type	F-Typevalve
Working pressure	10.0MPa
Material	Brass(KS D 5101 C3771)

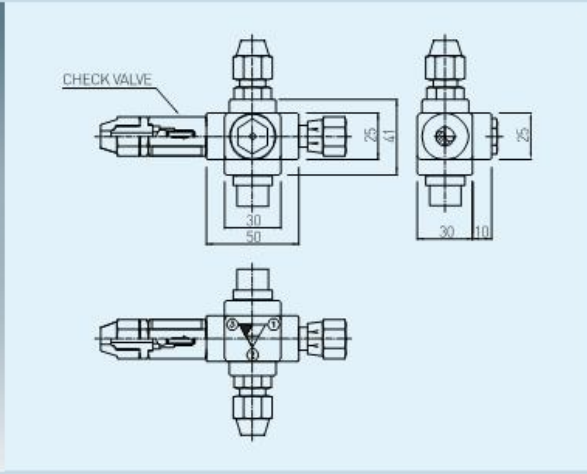
Needle Valve



It activates cylinder valve by breaking Burst Disc

Manufacturer	DongSung FINETEC Co.,LTD
Model No.	FTN-15
Diameter	6mm
Working pressure	1.8MPa
Material	Brass(KS D 5101 C3771)

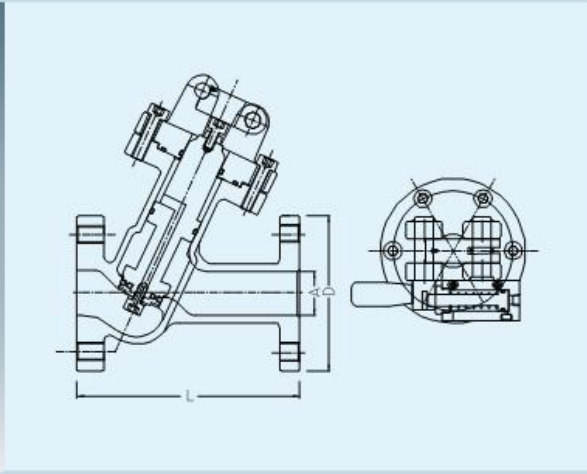
3-way control valve



It uses to release quantity of fire extinguishing agent cylinder to cover Enclosure and controls nitrogen gas flow.

Manufacturer	DongSung FINETEC Co.,LTD
Model No.	FT-3CV
Diameter	6mm
Working Pressure	10.0MPa
Test Pressure	15.0MPa
Material	Brass(KS D 5101 C3771)

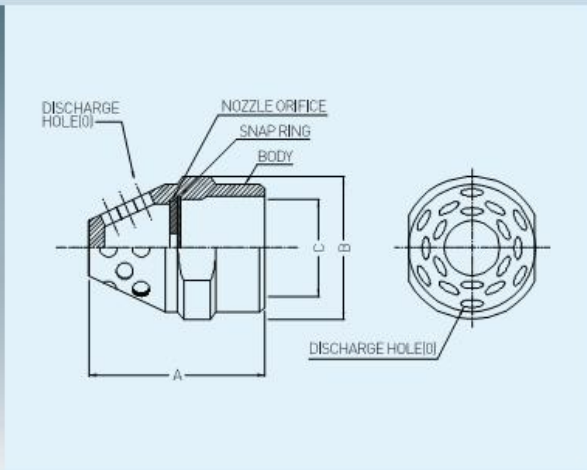
Selection Valve



A valve discharges gas agent selectively to where it is needed if you need to make single manifold with more than two Enclosure.

Manufacturer	Korea Special Valve(Korea SV)
Model No.	KV-25-150
Working Pressure	11.0MPa
Test Pressure	16.5Mpa
Leak Test	13.2MPa
Method of Operation	Pneumatic Type/Laver Type
Material	Stainless Steel Casting(KS D 4103 SSC13A)

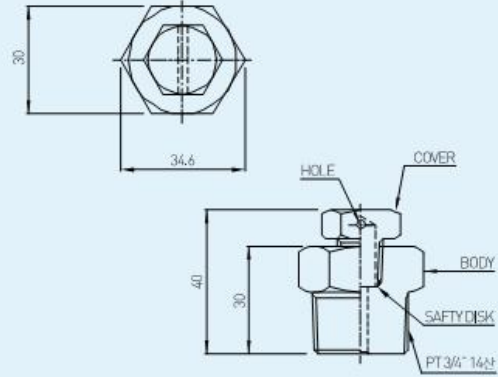
Discharge Nozzle



A Nozzle to discharge gas agent to Enclosure effectively, making agent quantity and timing on time.

Manufacturer	DongSung FINETEC Co.,LTD
Model No.	FTN-15-50 FTNS-15-50 FTHS-15-50(for IG-100 system exclusively) FTHH-15-50
Size	15A-50A
Material	Aluminium(KS D 6763 A6061)/Brass(KS D 5101 C3604)

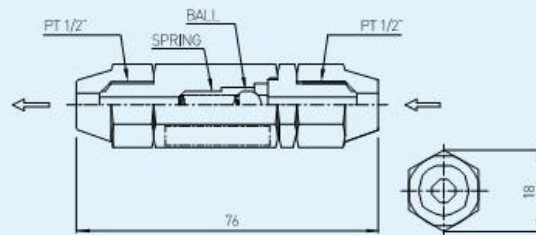
Safety valve



A valve which automatically releases gas agent when the pressure exceeds preset limits. It prevents manifold broke down.

Manufacturer	DongYang Engineering
Model No.	DY-SFV-01
Diameter	6mm
Material	Brass(KS D 5101 C3604)

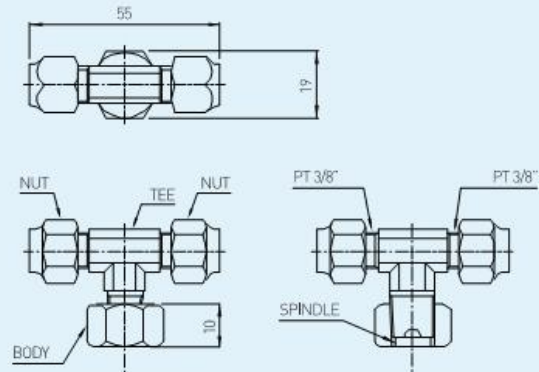
Check Valve



A check valve which keeps CO2 from flowing backward.

Manufacturer	DongYang Engineering
Model No.	DY-CV6A-01
Diameter	6mm
Leak Test	6.5MPa
Hydraulic test	9.8MPa
Material	Brass(KS D 5101 C3604)

Relief Valve



A valve used to control gas agent discharge mistakenly when CO2 cylinder leaks.

Manufacturer	DongYang Engineering
Model No.	DY-RV-T01
Diameter	6mm
Working Pressure	0.1-0.3MPa
Material	Brass(KS D 5101 C3604)

Piston Releaser



By discharged gas pressure, Piston Release Damper is shut down. It is installed on Damper.

Manufacturer	DongYang Engineering
Model No.	DY-P-01
Test Pressure	7.5MPa
Working Pressure	0.5MPa
STROKE	37mm

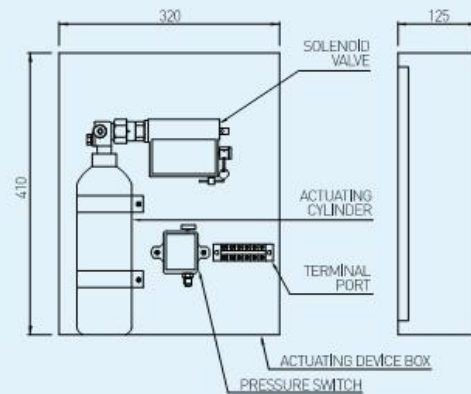
Damper Reset Box



It is used for restoring the piston release damper to its former condition.

Manufacturer	FEEM KOREA	
Model No.	FKDB-01	FKDB-02
Standard	87[W] x56[D] x127[H]_exposure type	87[W] x56[D] x127[H]_Rush type
Size	6A	
Color	IVORY	

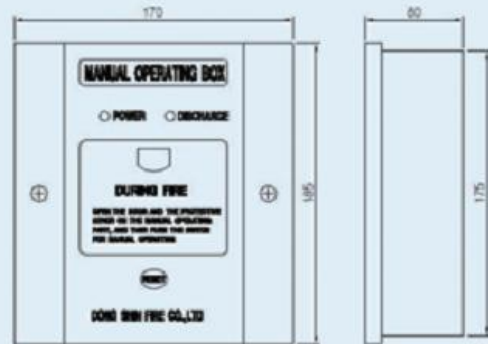
Actuating Device



Actuating device to release high pressured gas from CO2 cylinder by using solenoid valve. The discharged gas opens selection valve and cylinder valve.

Manufacturer	DongShin Fire CO.,LTD	
Model No.	NK-AD-01	
Standard	0.65kg/1L , DC-24V	
Dimension	320mm[W] x 125mm[D] x 410mm[H]	
Material	SSC 13A	
accessories and parts	Actuating cylinder, Pressure switch, Solenoid valve	

Manual Operation Box



A firearms term describing any type of firearm action that is loaded one shot at a time by the user rather than automatically. Located near main door to discharge gas agent manually.

Manufacturer	DongShin Fire CO.,LTD
Model No.	DMB-1
Dimension	170mm(W) x 60mm(D) x 185mm(H)
Color	Pale yellow
Operating Voltage	DC-24V

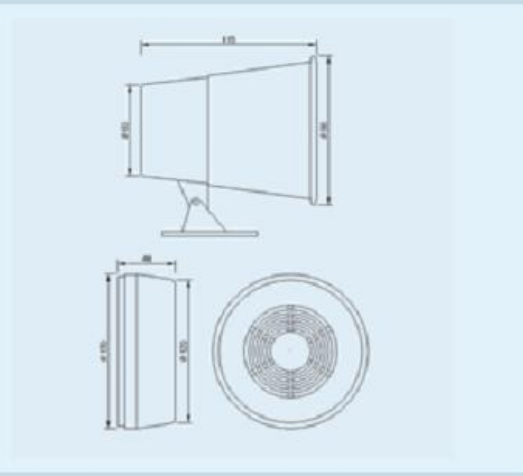
Discharge Lamp



Lamp to indicate danger of Enclosure when gas agent discharged.

Manufacturer	DongShin Fire CO.,LTD
Model No.	DS-DLX21
Dimension	272mm(W) x 45mm(D) x 94mm(H)
Color	Pale yellow
Operating Voltage	DC-24V
Rated Current	120mA

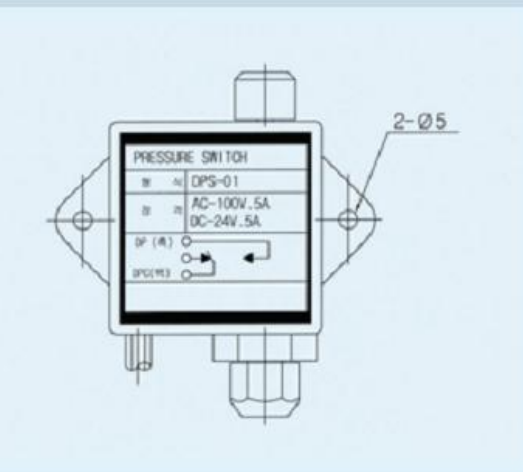
Electronic Siren



A device to make sound to let people know when gas agent is released to enclosure.

Manufacturer	DongShin Fire CO.,LTD	
Model No.	DEX-2	
Type	Horn Type	Circle Type
Dimension	115mm(W) × ø97mm × ø60mm	160mm(W) × ø80mm(D) × ø220mm(H)
Volume	90dB or more	90dB or more
Color	Pale yellow, Red	White
Operating Voltage	DC-24V	DC-24V
Rated Current	300mA	300mA

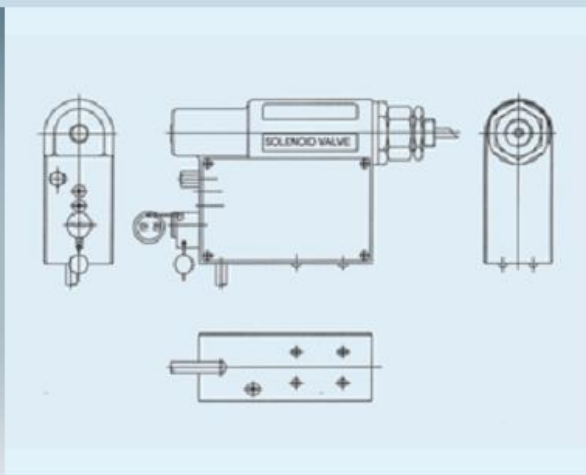
Pressure Switch



A device to turn on the discharge Lamp, it is activated by outlet gas pressure.

Manufacturer	DongYang Engineering
Model No.	DY-PS-01
Dimension	67mm(W) × 28mm(D) × 62mm(H)
Color	Black
Operating Voltage	DC-24V
Rated Current	5A

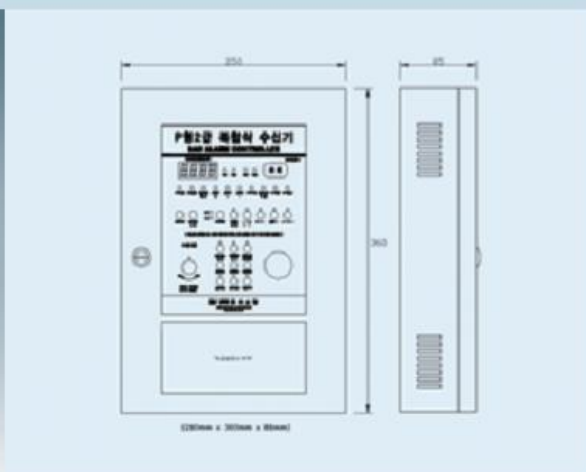
Solenoid Valve



It is an electromechanically operated valve. It activates CO2 cylinder valve in actuating device

Manufacturer	DongYang Engineering
Model No.	DY-SV-01
Dimension	135mm(W) x 25mm(D) x 103mm(H)
Color	Red
Operating Voltage	DC-24V
Rated Current	1.5A

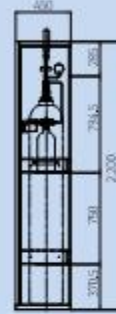
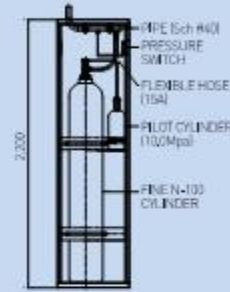
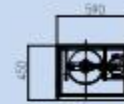
Modular Control Panel



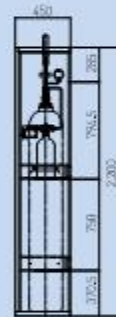
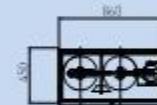
It controls a manual operation box, smoke & heat detectors, Siren, Solenoid valve and so on.

Manufacturer	DongShin Fire CO.,LTD
Model No.	DSCP-01
Dimension	250mm(W) x 85mm(D) x 360mm(H)
Color	Ivory
Circuit Specification	Single
Rated Current	AC220V/60Hz

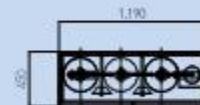
FTMS-N1

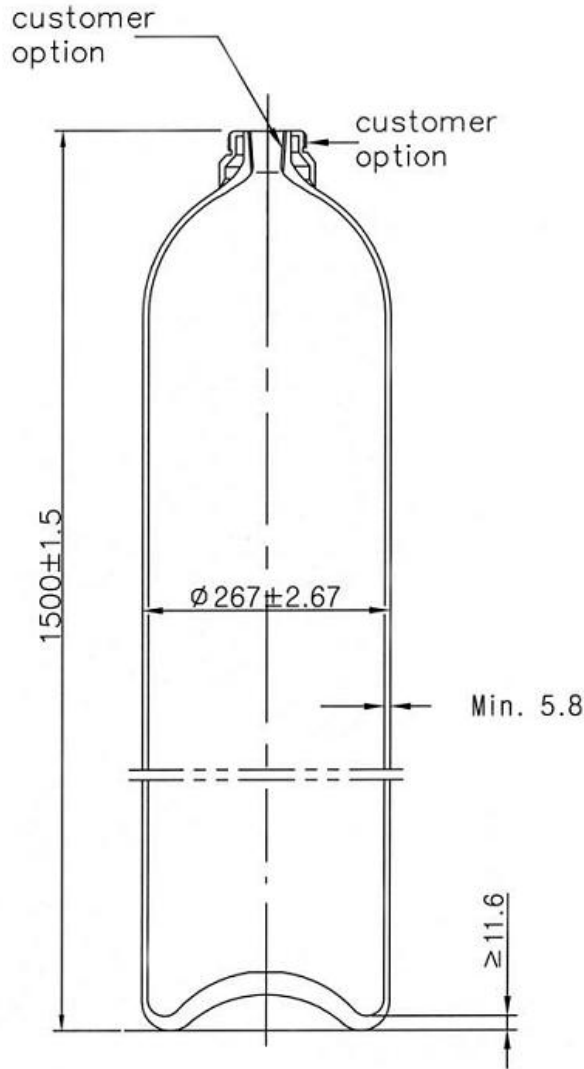


FTMS-N2



FTMS-N3





TECHNICAL REQUIREMENTS

1. APPLICATION STANDARD : KS B 6210
2. FILLING CONTENTS:PERMANENT GAS OR LIQUIFIED GAS
3. ENVIRONMENTAL CLIMATE:-20° C ~ 60° C
4. MATERIALS:MANGANESE STEEL
5. HEAT TREATMENT : QUENCHED AND TEMPERED
6. HYDRAULIC TEST PRESSURE:250bar (25.0MPa)
7. MAXIMUM WORKING PRESSURE: 150bar (15.0MPa)

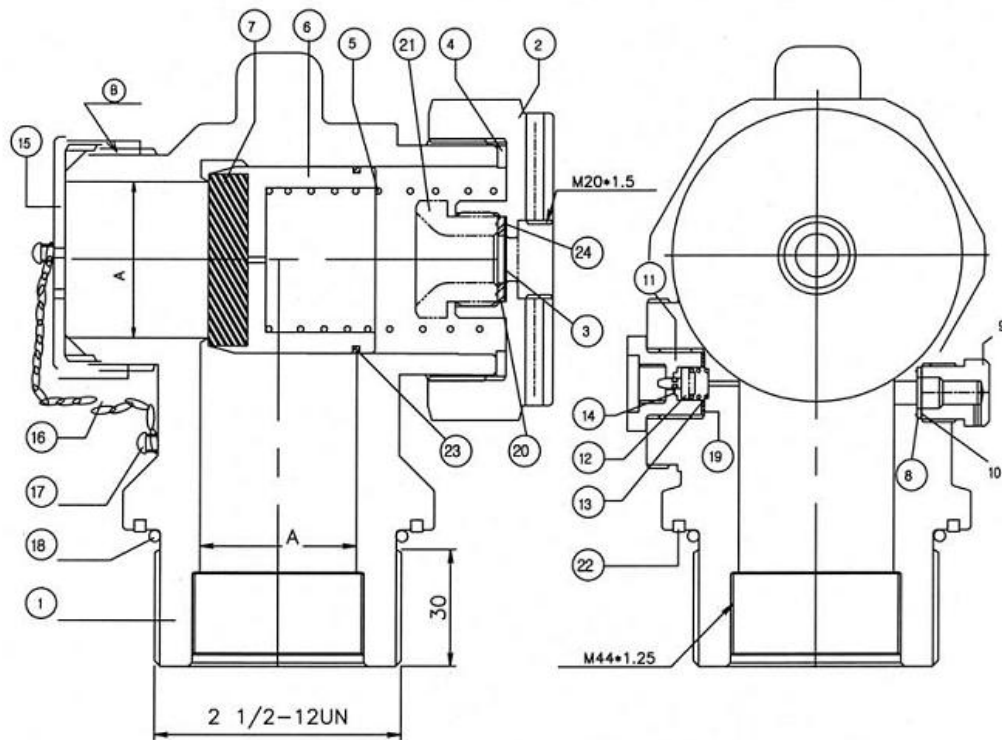
CHEMICAL COMPOSITION	%	C	Mn	Si	S	P
		0.30-0.41	1.35-1.70	0.10-0.35	≤0.030	≤0.030

MECHANICAL PROPERTIES	TENSILE STRENGTH	YIELD STRESS	ELONGATION	IMPACT VALUE(LONGITUDINAL)
	≥ 750N/mm ²	≥ 590N/mm ²	A ≥ 17%(50mm)	AV ≥ 70J/cm ² (20°C)

SPECIFICATION	VOLUMETRIC(WATER)CAPACITY(L)	67.5 ^{+5%} / ₀
	LENGTH APPROX. (mm)	1500 ±15
	TARE WEIGHT APPROX. (kg)	72 ±3

F-TYPE VALVE

FTV-32, 40



TEST PRESSURE

- 1. HYDROSTATIC TEST PRESSURE : 11.8MPa
- 2. GAS-LEAKAGE TEST PRESSURE : 7.1MPa
- 3. SAFETY DISCBURST PRESSURE : 7.8 ~ 9.4MPa

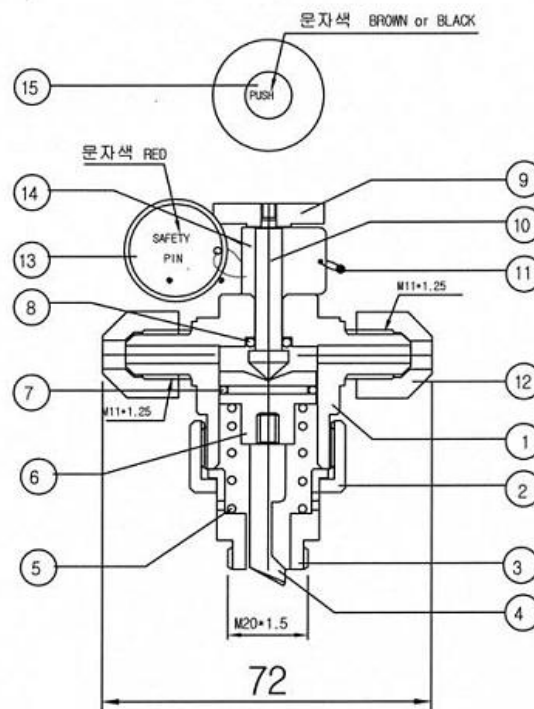
	Ⓐ	Ⓑ 나사규격(중경구나사)
3A	φ34	1 7/8-12UN
4A	φ40	2 1/4-12UN

12	CHECK VALVE	C3604BD	1		24	PACKING	NYLON	1	
11	CHECK NUT	C3604BD	1	Ni Coated	23	BACK UP RING	NYLON	1	
10	SAFETY PLATE	C1201P	1	Cr Coated	22	PACKING RING	TEFLON	1	
9	SAFETY NUT	C3771BE	1	Ni Coated	21	PACKING BOLT	C3604BD	1	
8	PACKING	NYLON	1		20	PACKING	NYLON	1	
7	SEAT	NYLON	1		19	PACKING	NYLON	1	
6	OSCILLATOR	C3604BD	1	Ni Coated	18	O-RING	CR	1	
5	SPRING	STS304	1		17	BIS	STEEL	2	
4	PACKING	NYLON	1		16	CHAIN	STS	1	
3	MOVING PLATE	C1201P	1	Cr Coated	15	CAP NUT	C3604BD	1	Ni Coated
2	DRAIN NUT	C3604BD	1	Ni Coated	14	O-RING	CR	1	
1	BODY	C3771BE	1	Ni Coated	13	SPRING	STS304	1	
NO	DESCRIPTION	MAT'L	Q'TL	REMARK	NO	DESCRIPTION	MAT'L	Q'TL	REMARK

FINETEC 가스 소화설비

NEEDLE VALVE

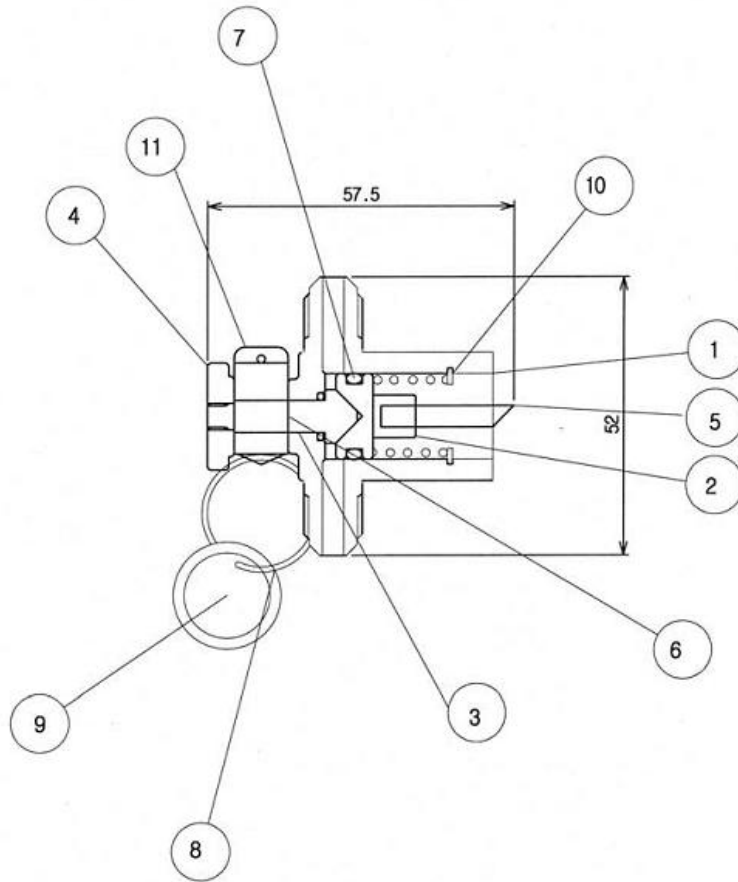
FTN-40



15	STICKER	AL	1	
14	SNAP	STS304	1	
13	SAFETY PIN ASS'Y	AL +STS	1	
12	NUT	C360480	2	
11	SEAL	Pb	1	
10	PUSH LOAD	C360480	1	
9	PUSH BUTTON	C360480	1	
8	O-RING	N.B.R	1	
7	O-RING	N.B.R	1	
6	RAM	C360480	1	
5	SPRING	STS304	1	
4	RIP TUBE	STS304	1	
3	CAP	C360480	1	
2	CAP NUT	C360480	1	
1	BODY	C3771BE	1	
NO	DESCRIPTION	MATERIAL	QTY	REMARKS

NEEDLE VALVE

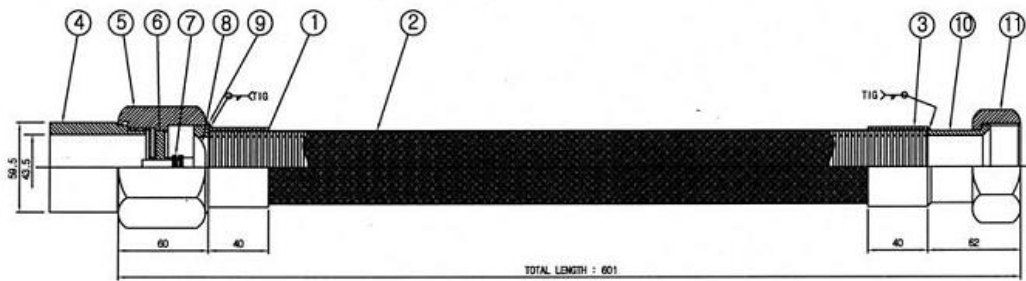
FTN-15



11	CLIP	STEEL	1	
10	SNAP-RING	SPRING STEEL	1	
9	NAME PLATE	AL. PLATE	1	
8	RING	STS304	1	
7	O-RING(P-18)	NBR	1	
6	SPRING	STS304	1	
5	NEEDLE	SPRING STEEL	1	
4	PUSH BUTTON	C3604BD	1	
3	PUSH LOAD	C3604BD	1	
2	PISTON	C3604BD	1	
1	BODY	C3771BE	1	
NO.	PARTS NAME	MATERIAL	Q'TY	REMARK

FLEXIBLE TUBE

FTF-601



11	NUT	SS 400	1	GAL'V
10	NIPPLE	SS 400	1	GAL'V
9	STAINLESS RING	STS 304	1	-
8	BRASS GUIDE	Bs C	1	-
7	SPRING	STS 304	1	-
6	BRASS RING	Bs C	1	-
5	NUT	SS 400	1	GAL'V
4	ADAPTER	SS 400	1	GAL'V
3	CAP	STS 304	2	-
2	BRAID	STS 304	1	-
1	FLEXIBLE TUBE	STS 304	1	O.T
NO.	DESCRIPTION	MATERIAL	Q'TY	REMARK



Certificate No. 2007-09-168

CERTIFICATE OF KFI APPROVAL

Applicant : Kim Hong Keun

Company : FINETEC CORP.

Address : 1212-1, Joil-ri, Samdong-myeon, Ulju-gun,
Ulsan-city, Republic of Korea

This is to certify that the following item has been approved in accordance with the provisions of Article 7, clause 1 of the Standards For KFI Certification.

1. Item : Gaseous Fire Extinguishing System
2. Type : Halogen Compound Fire Extinguishing System,
HFC-227ea, Brand Name : FM-200®
3. KFI Approval No. : 가설07-5
4. Limitation : --
5. Remark : --

Date : September 28, 2007

President

Korea Fire Equipment Inspection Corporation

ABS Quality Evaluations

Certificate Of Conformance

This is to certify that the Quality Management System of:

Finetec Corp. Youngnam Factory

#1212-1, Joil-ri, Samdong-myeon, Ulju-gun,
Ulsan
Korea

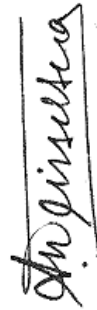
has been assessed by ABS Quality Evaluations, Inc. and found to be in conformance with the requirements set forth by:

ISO 9001:2008

The Quality Management System is applicable to:

RECHARGING OF FIRE EXTINGUISHING AGENT AND REFRIGERANTS, SUPPLYING OF POLYURETHANE RAW MATERIAL AND SYSTEM

Certificate No: 35852
Effective Date: 16 July 2012
Expiration Date: 12 July 2015
Issue Date: 16 July 2012



Alex Weisselberg, President



Validity of this certificate is based on the periodic audits of the management system defined by the above scope and is contingent upon prompt, written notification to ABS Quality Evaluations, Inc. of significant changes to the management system or components thereof.

ABS Quality Evaluations, Inc. 16855 Northchase Drive, Houston, TX 77060, U.S.A.
Validity of this certificate may be confirmed at www.abs-qe.com/cert_validation.



KS CERTIFICATE

This is to certify that the Korean Industrial Standard Mark(KS mark) of :

Finetec Corporation
329, 3rd Factory, Boche-ri, Miyang-myeon, Anseong-si, Gyeonggi-do,
Korea
PARK WEON-SE

*has been approved by Korean Standards Association
to the following Korean Industrial Standard :*

KSB6210
Seamless steel gas cylinders
KSB ISO 9809-1. end

in accordance with the Korean Industrial Standardization Act.

Certificate Number : 03-4407

Certification Date : 21-Aug-2003

Current Certificate : 23-Feb-2012

Certified by Chang Ryong Kim

President

Korean Standards Association

Korea Technology Center, 701-7, Yeoksam-dong, Gangnam-gu, Seoul, Korea

